

JIANGSU WUJIN KAILI ELECTRONIC FACTORY

SPECIFICATION SHEET

ELECTRONIC SPECIFICATION:

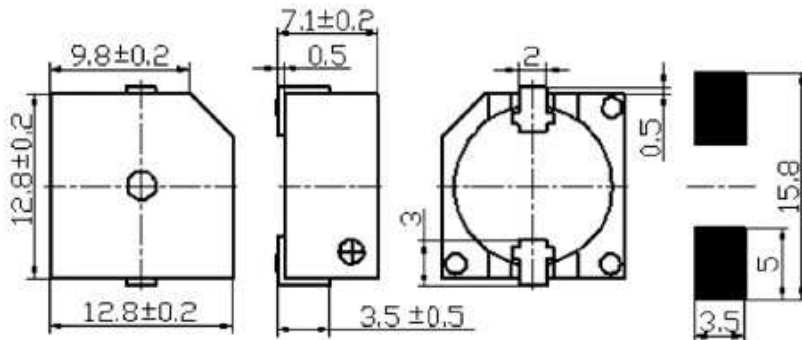


HCT14B SERIES:

Type	HCT1401B	HCT1405B	HCT1412B
Rated Voltage (V)	1.5	6	12
Operating Voltage (V)	1~3	4~8	8~16
Rated Current (mA)	< 30	< 40	< 40
Coil Resistance (ohm)	16 ± 3	45 ± 5	140 ± 14
Coil Impedance (ohm)	40	80	240
Sound Output at 10cm (dB)	> 80	> 85	> 85
Resonant Frequency (Hz)	2400	2400	2400
Operating Temperature (C)	-25 ~ +70	-25 ~ +70	-25 ~ +70
Storage Temperature (C)	-30 ~ +85	-30 ~ +85	-30 ~ +85
Weight (g)	2	2	2

Value applying rated voltage (2400Hz, 1/2duty, square wave)

Value applying (2400Hz, sine wave, measuring current 60 uA)



JIANGSU WUJIN KAILI ELECTRONIC FACTORY

Miaoqiao Town, Changzhou city, Jiangsu, China 213167

TEL: 0086-519-6462433; 6712320

FAX: 0086-519-6471336; 6712320

E-mail: kailiec@jmail.com.cn

<http://www.kaili-buzzer.com/>