

JIANGSU WUJIN KAILI ELECTRONIC FACTORY

SPECIFICATION SHEET

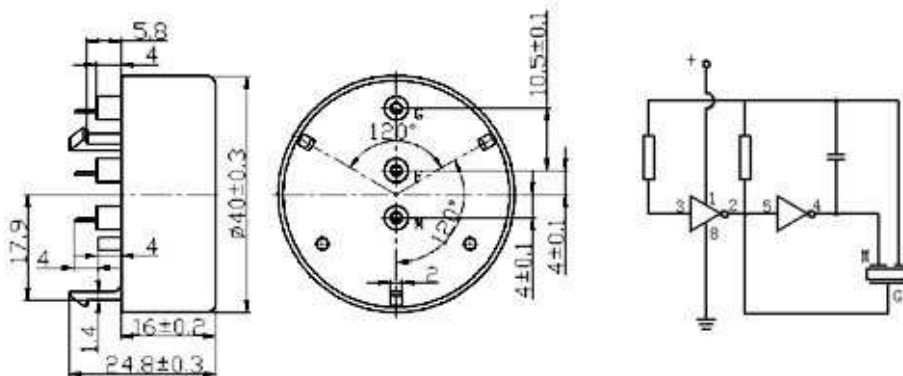
ELECTRONIC SPECIFICATION:



HY40A16 SERIES:

Type	UNIT	HY40A16
*Min. Sound Output at 10cm	dB	95
Rated Voltage	Vp-p	9
Operating Voltage	Vp-p	6~12
Resonant Frequency	Hz	3400±500
*Max. Current Consumption	mA	15
Capacitance at 1,000HZ	pF	15000±30%
Operating Temperature	℃	-20 ~ +70
Storage Temperature	℃	-30 ~ +80
Weight	g	12

* Value applying at rated voltage



JIANGSU WUJIN KAILI ELECTRONIC FACTORY

Miaoqiao Town, Changzhou city, Jiangsu, China 213167

TEL:0086-519-6462433; 6712320

FAX:0086-519-6471336; 6712320

E-mail: kailiec@jmail.com.cn

<http://www.kaili-buzzer.com/>