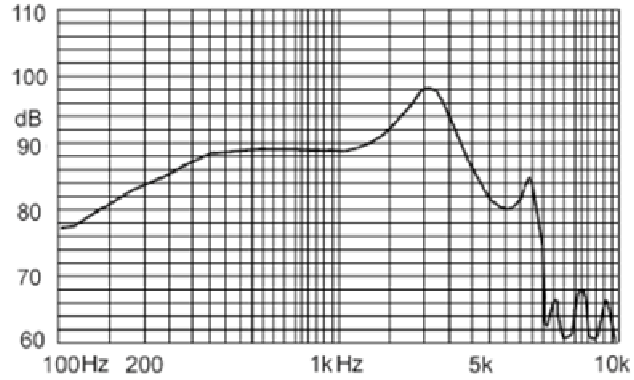


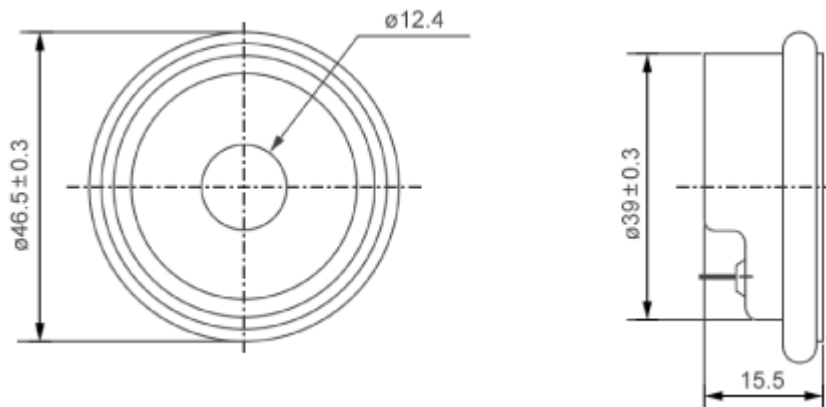
JIANGSU WUJIN KAILI ELECTRONIC FACTORY

SPECIFICATION SHEET

ELECTRONIC SPECIFICATION:



Type	KLS-3	
DC Resistance	19Ω±10%	
Impedance (at 1 KHz)	100Ω±25%	
Frequency Range	2000Hz±20%	
S.P.L	24Vp-p 1000Hz/1m	≥95dB



JIANGSU WUJIN KAILI ELECTRONIC FACTORY

Miaoqiao Town, Changzhou city, Jiangsu, China 213167

TEL: 0086-519-86462433; 86712320

FAX: 0086-519-86471336; 86712320

E-mail: kailiec@jmail.com.cn

<http://www.kaili-buzzer.com/>