

JIANGSU WUJIN KAILI ELECTRONIC FACTORY

SPECIFICATION SHEET

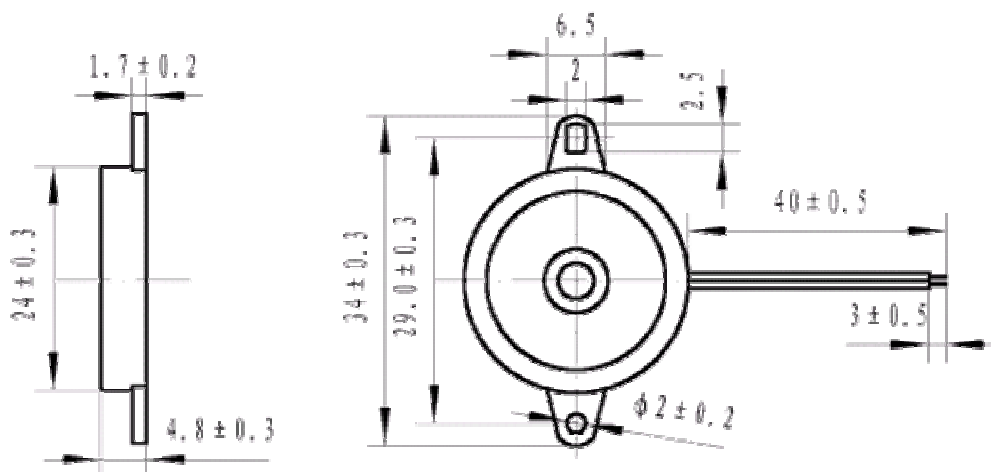
ELECTRONIC SPECIFICATION:



YY2450A SERIES: _____

Type	UNIT	YY2450A
*Min. Sound Output at 10cm	dB	85
Rated Voltage	Vp-p	10
Operating Voltage	Vp-p	1~30
Resonant Frequency	Hz	4000±500
*Max. Current Consumption	mA	2
axCapacitance at 1,000HZ	pF	24000±30%
Operating Temperature	℃	-20~+60
Storage Temperature	℃	-30~+70
Weight	g	2.5

* Value applying at rated voltage



JIANGSU WUJIN KAILI ELECTRONIC FACTORY

Miaoqiao Town, Changzhou city, Jiangsu, China 213167

TEL: 0086-519-6462433; 6712320

FAX: 0086-519-6471336; 6712320

E-mail: kailiec@jmail.com.cn

<http://www.kaili-buzzer.com/>