

JIANGSU WUJIN KAILI ELECTRONIC FACTORY

SPECIFICATION SHEET

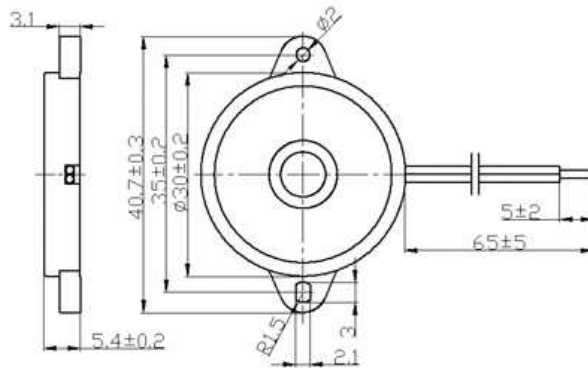
ELECTRONIC SPECIFICATION:



YY3055A SERIES:

Type	UNIT	YY3055A12	YY3055A09
*Min. Sound Output at 10cm	dB	85	88
Rated Voltage	Vp-p	12	9
Operating Voltage	Vp-p	1~30	1~30
Resonant Frequency	Hz	1300±500	3500±500
*Max. Current Consumption	mA	3.5	3
Capacitance at 1,000HZ	pF	45000±30%	20000±30%
Operating Temperature	℃	-20 ~ +70	
Storage Temperature	℃	-30 ~ +80	
Weight	g	3.5	

* Value applying at rated voltage



JIANGSU WUJIN KAILI ELECTRONIC FACTORY

Miaoqiao Town, Changzhou city, Jiangsu, China 213167

TEL: 0086-519-6462433; 6712320

FAX: 0086-519-6471336; 6712320

E-mail: kailiec@jmail.com.cn

<http://www.kaili-buzzer.com/>