

# JIANGSU WUJIN KAILI ELECTRONIC FACTORY

## SPECIFICATION SHEET

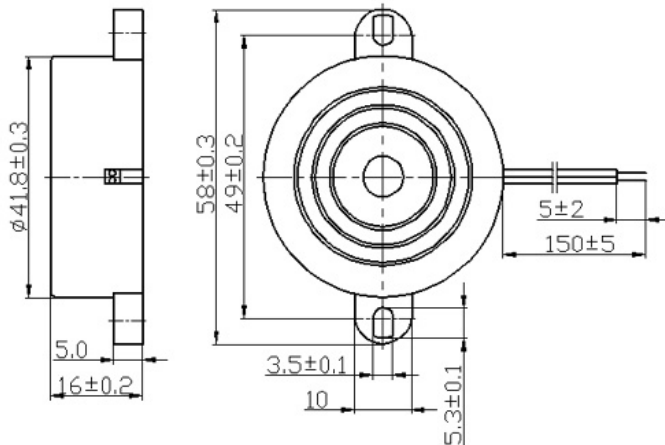
ELECTRONIC SPECIFICATION:



**YY4216BX SERIES:**

Type	UNIT	YY4216BX09	YY4216BX12
*Min. Sound Output at 10cm	dB	100	85/30cm
Rated Voltage	VDC	9	12
Operating Voltage	VDC	6~12	8~15
Resonant Frequency	Hz	2900±500	3100±500
*Max. Current Consumption	mA	150	150
Tone Nature		Siren	Siren
Operating Temperature	℃	-20~+70	
Storage Temperature	℃	-30~+80	
Weight	g	18	

\* Value applying at rated voltage



**JIANGSU WUJIN KAILI ELECTRONIC FACTORY**

Miaoqiao Town, Changzhou city, Jiangsu, China 213167

TEL: 0086-519-6462433; 6712320

FAX: 0086-519-6471336; 6712320

E-mail: [kailiec@jsmail.com.cn](mailto:kailiec@jsmail.com.cn)

<http://www.kaili-buzzer.com/>