

# JIANGSU WUJIN KAILI ELECTRONIC FACTORY

## SPECIFICATION SHEET

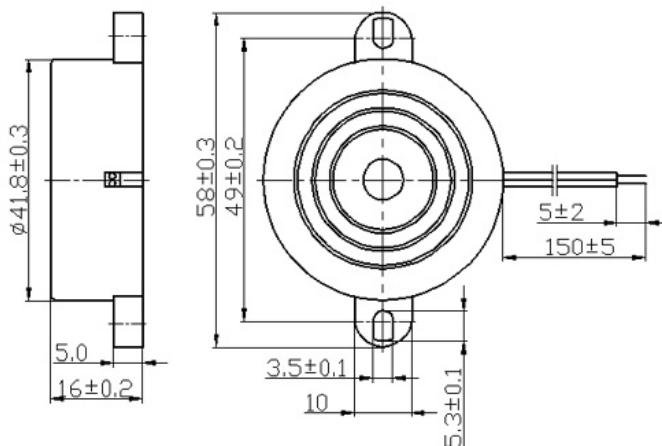
ELECTRONIC SPECIFICATION:



**YY42C220W SERIES:**

Type	UNIT	YY42C220W
*Min. Sound Output at 10cm	dB	100
Rated Voltage	VAC	220
Operating Voltage	VAC	50~250
Resonant Frequency	Hz	2900±500
*Max. Current Consumption	mA	150
Tone Nature		Continuous
Operating Temperature	℃	-20~+70
Storage Temperature	℃	-30~+80
Weight	g	18

\* Value applying at rated voltage



**JIANGSU WUJIN KAILI ELECTRONIC FACTORY**

Miaoqiao Town, Changzhou city, Jiangsu, China 213167

TEL:0086-519-6462433; 6712320

FAX:0086-519-6471336; 6712320

E-mail: [kailiec@jmail.com.cn](mailto:kailiec@jmail.com.cn)

<http://www.kaili-buzzer.com/>